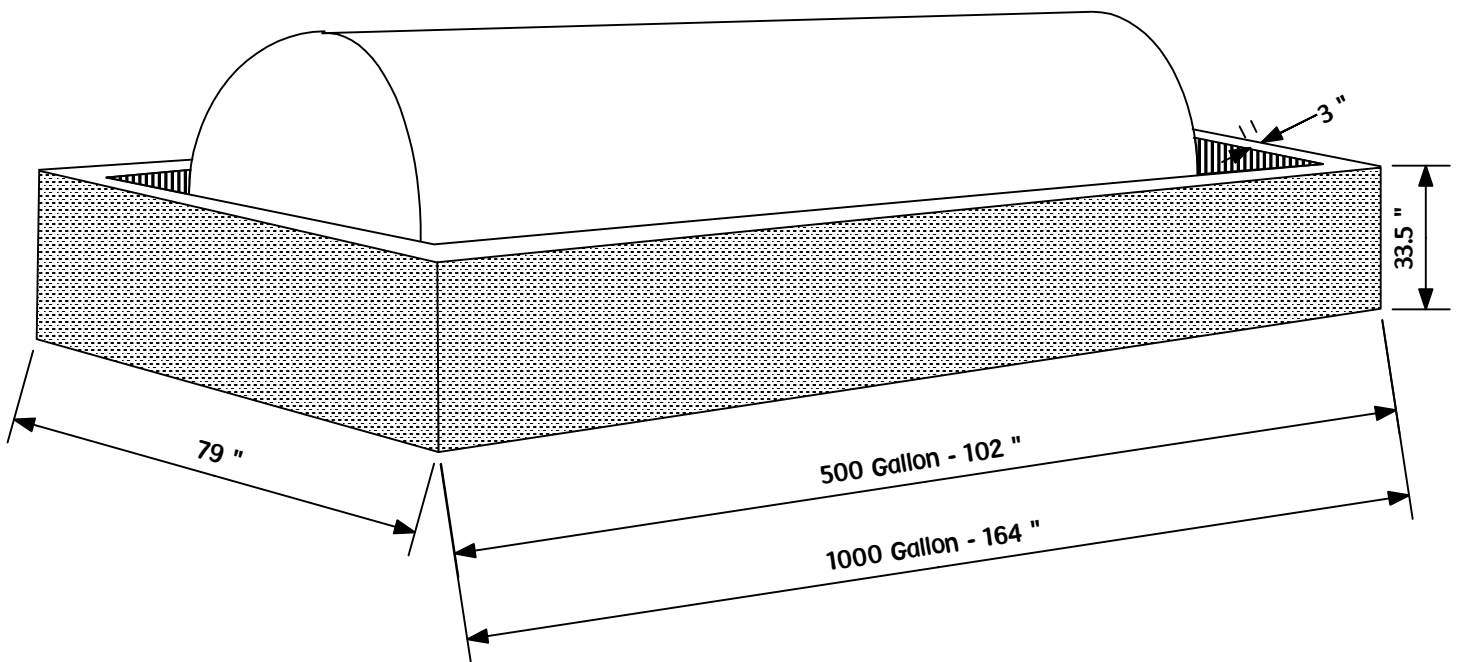




# KOHNEN CONCRETE PRODUCTS, INC.

503 GREEN STREET  
GERMANTOWN, IL 62245  
618-523-4266  
Belleville 618-277-2120  
Fax 618-523-4751

## CONCRETE FUEL CONTAINMENT VESSEL 500 GALLON OR 1000 GALLON



We have worked closely with the regulatory agencies in the design of these vessels to protect the environment/ground water from accidental spills/leaks from your above ground petroleum storage tanks. Our containment vessels have a capacity exceeding 125% of the volume of the petroleum storage tank for which they are intended. This allows for the chance existence of rain water or ice and snow in the vessel at the time of a spill or leak.

WEIGHT:  
500 GALLON 7,500 LBS  
1000 GALLON 10,000 LBS