

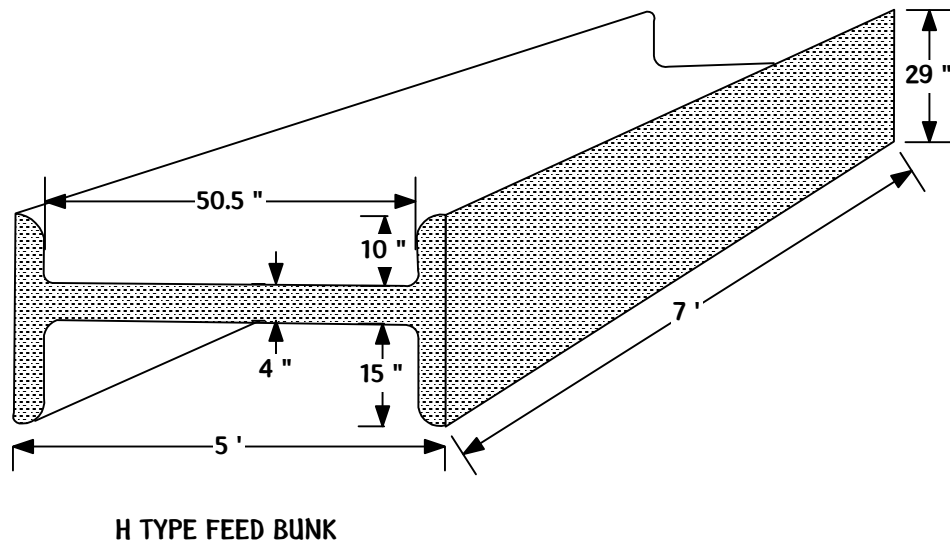
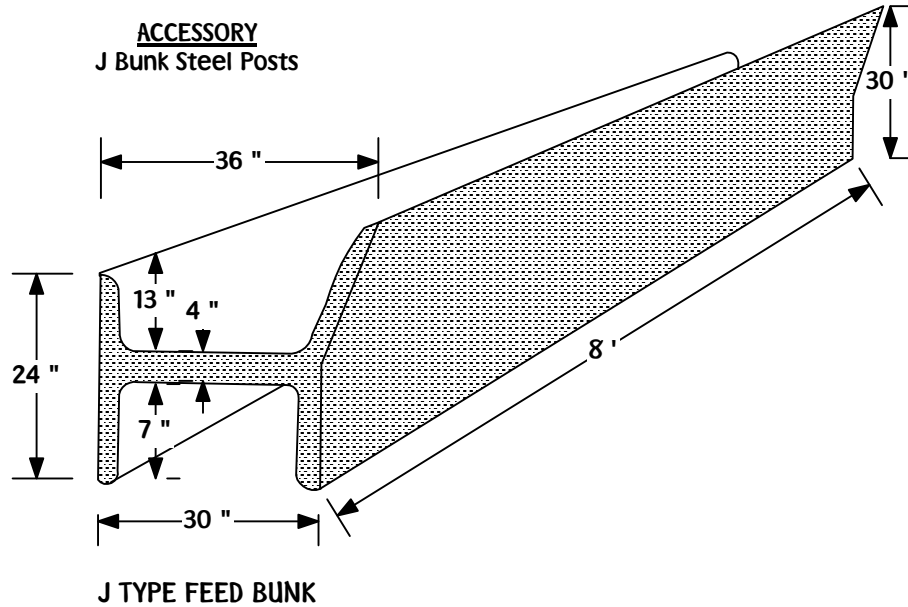


# KOHNEN CONCRETE PRODUCTS, INC.

503 GREEN STREET  
GERMANTOWN, IL 62245  
618-523-4266  
Belleville 618-277-2120  
Fax 618-523-4751

## CONCRETE FEED BUNKS

J TYPE & H TYPE



**WEIGHT:**

H TYPE 3100 LBS PER SECTION  
J TYPE 2700 LBS PER SECTION