



KOHNEN CONCRETE PRODUCTS, INC.

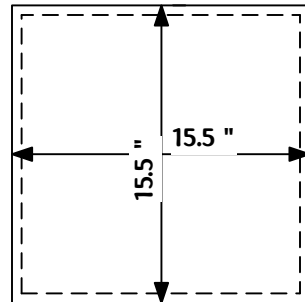
503 GREEN STREET
GERMANTOWN, IL 62245

618-523-4266

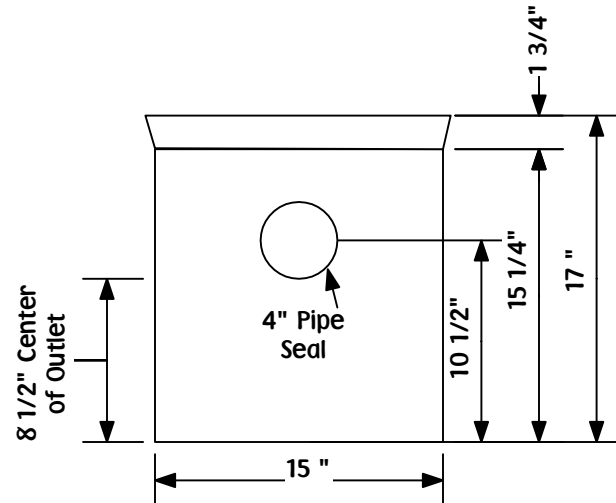
Belleville 618-277-2120

Fax 618-523-4751

4 HOLE CONCRETE DISTRIBUTION BOX



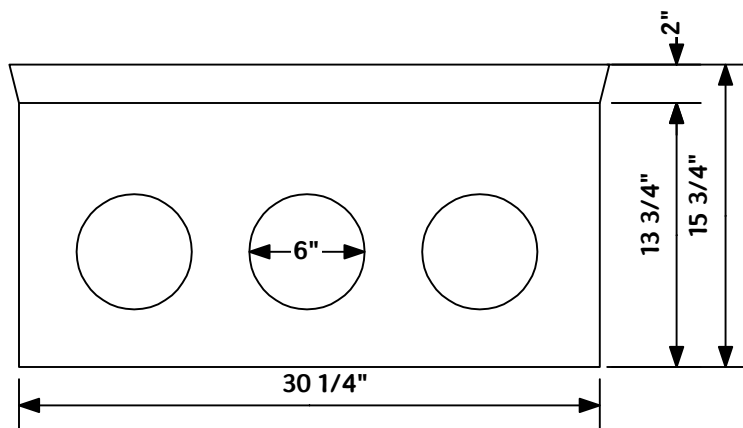
TOP VIEW



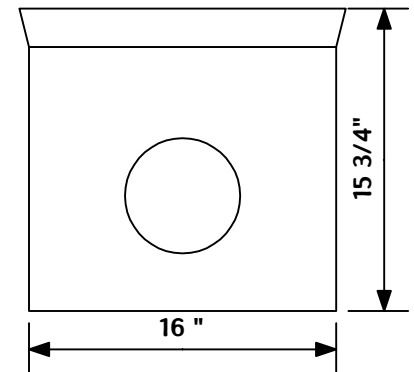
SIDE VIEW

WEIGHT: 185 LBS

8 HOLE CONCRETE DISTRIBUTION BOX



SIDE VIEW



END VIEW

WEIGHT: 380 LBS

*AVAILABLE WITH 4" GASKETS OR 6" HOLES