



# KOHNEN CONCRETE PRODUCTS, INC.

503 GREEN STREET

GERMANTOWN, IL 62245

618-523-4266

FAX 618-523-4751

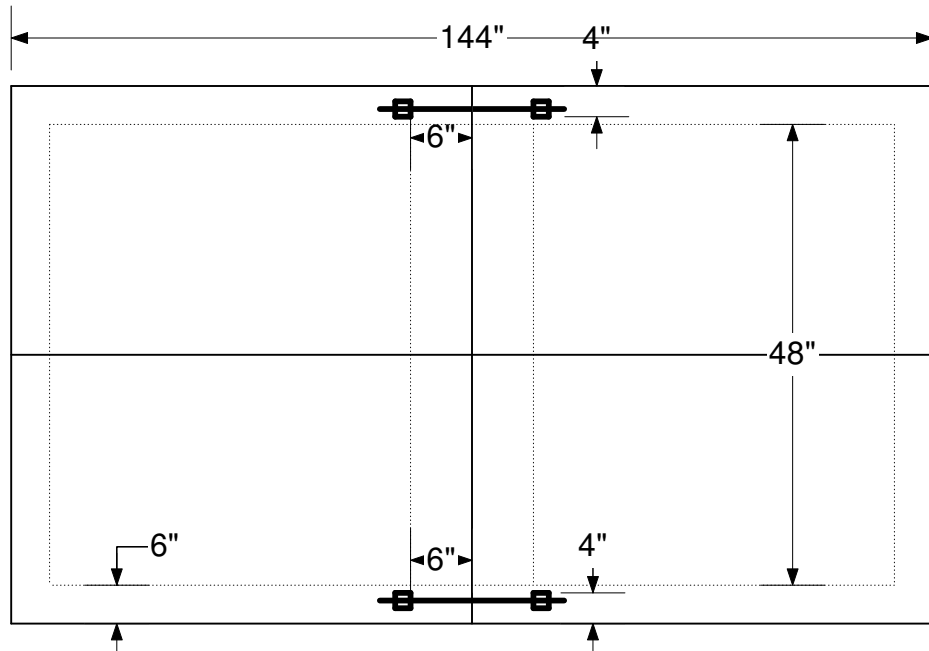
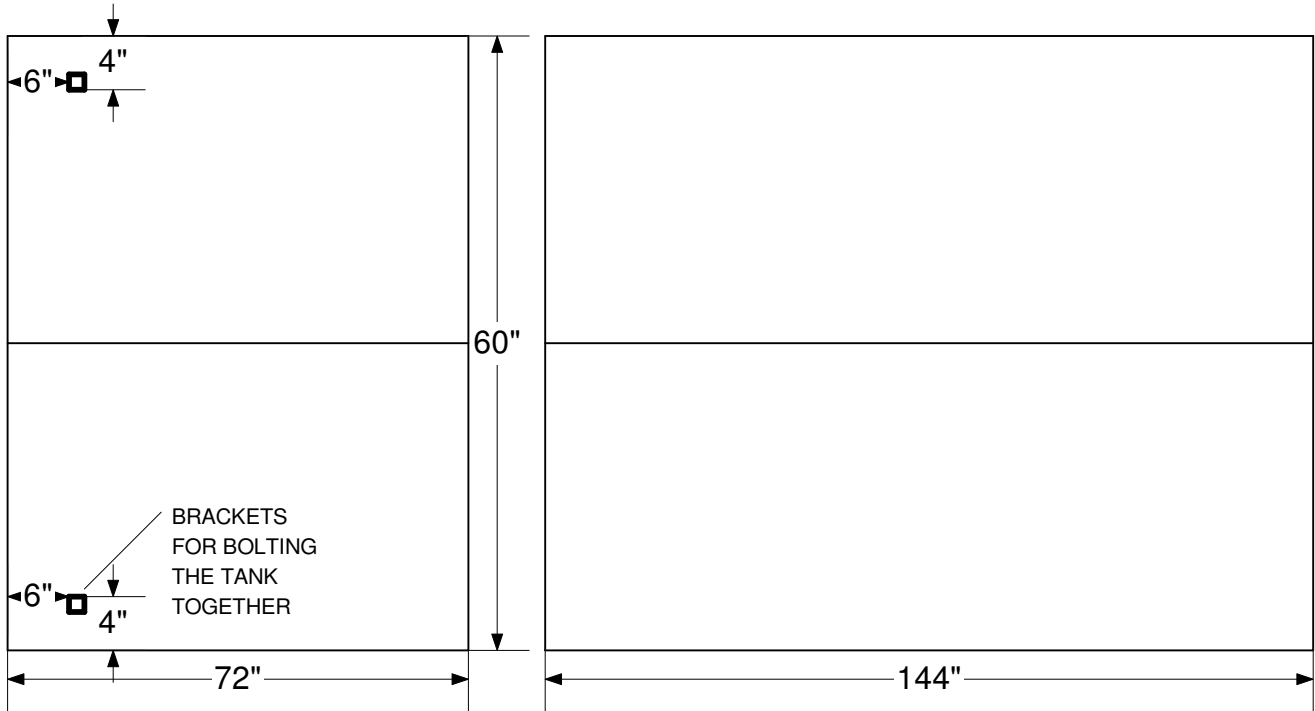
BELLEVILLE

618-277-2120

## CDB TOILET VAULT

END VIEW

SIDE VIEW



END VIEW WITH BOLTS

5/8" X 18" STAINLESS BOLTS, NUTS, WASHERS

TOTAL WEIGHT PER TANK 19,700 LBS. (9,850 LBS. PER HALF TANK)