

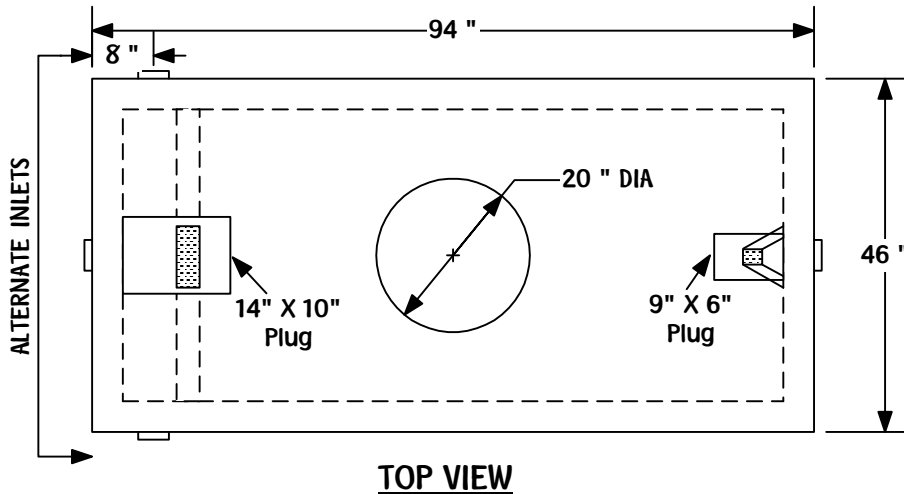
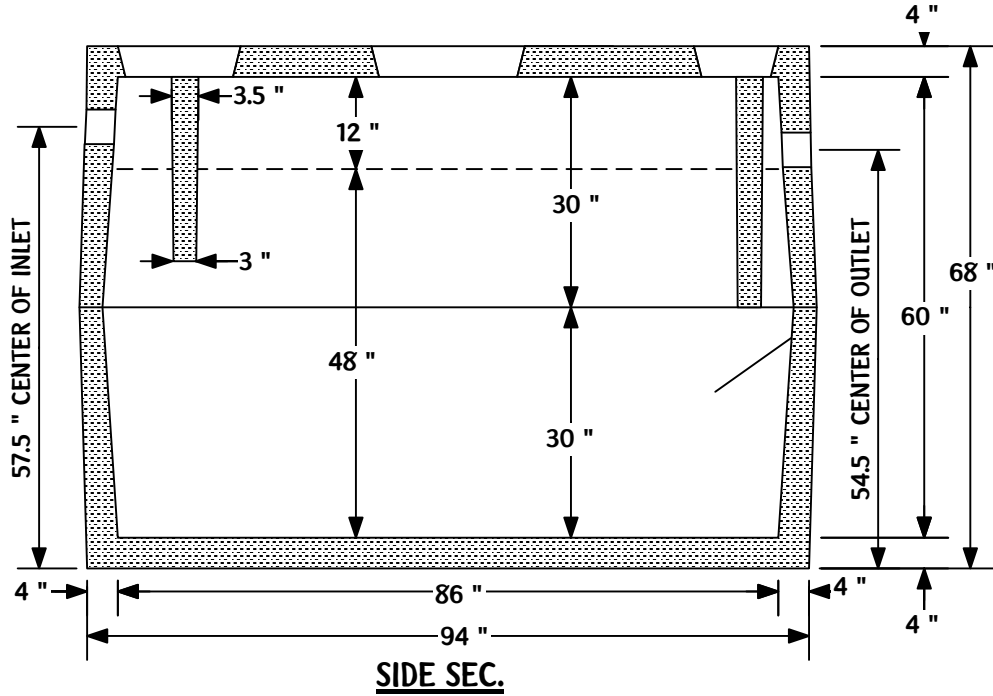


# KOHNEN CONCRETE PRODUCTS, INC.

503 GREEN STREET  
 GERMANTOWN, IL 62245  
 618-523-4266  
 Belleville 618-277-2120  
 Fax 618-523-4751

## 750 GALLON REINFORCED CONCRETE SEPTIC TANK

EXCAVATION SIZE: 9' L X 5' W



WEIGHT: 7,140 LBS

THIS STRUCTURE IS NOT DESIGNED FOR VEHICULAR TRAFFIC OR MORE THAN 4' OF COVER OVER THE TOP OF THE TANK.