

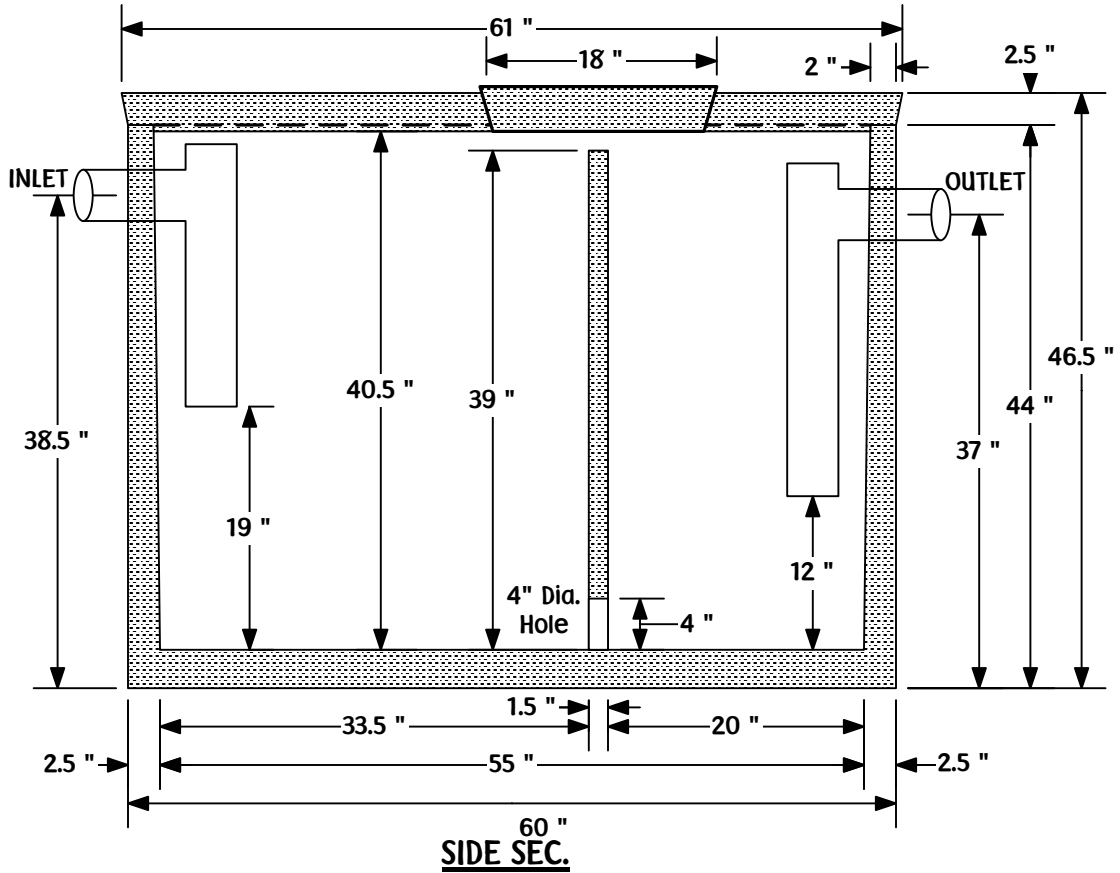


KOHNEN CONCRETE PRODUCTS, INC.

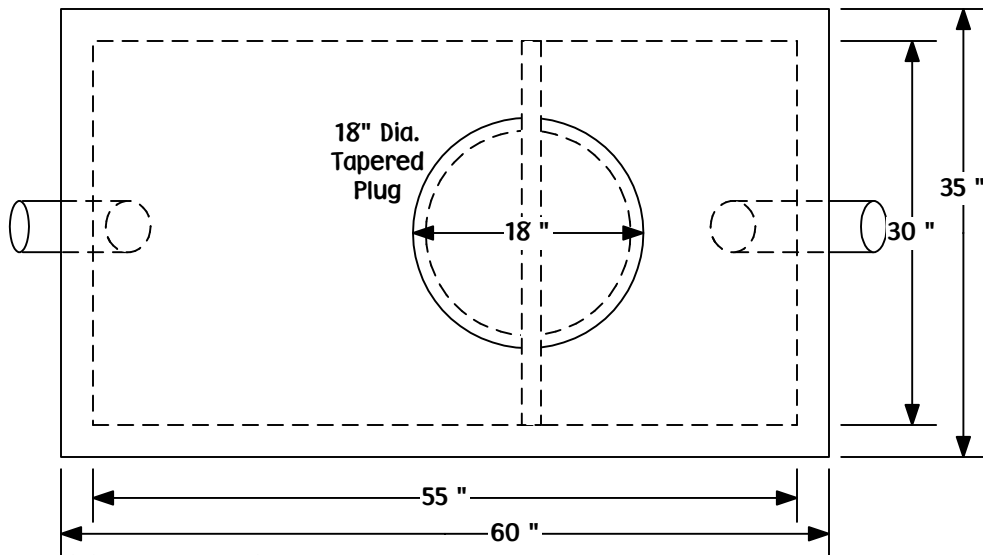
503 GREEN STREET
 GERMANTOWN, IL 62245
 618-523-4266
 Belleville 618-277-2120
 Fax 618-523-4751

215 GALLON CONCRETE GREASE INTERCEPTOR

EXCAVATION SIZE: 6 1/2' L X 4' W



OPTIONS
 GRADE RISERS (DONUTS)
 FRAME & COVERS
 SEALANT



WEIGHT: 3,040 LBS

*AVAILABLE WITH A PLUG OR 24" OPENING FOR FRAME AND COVER **TOP VIEW**