



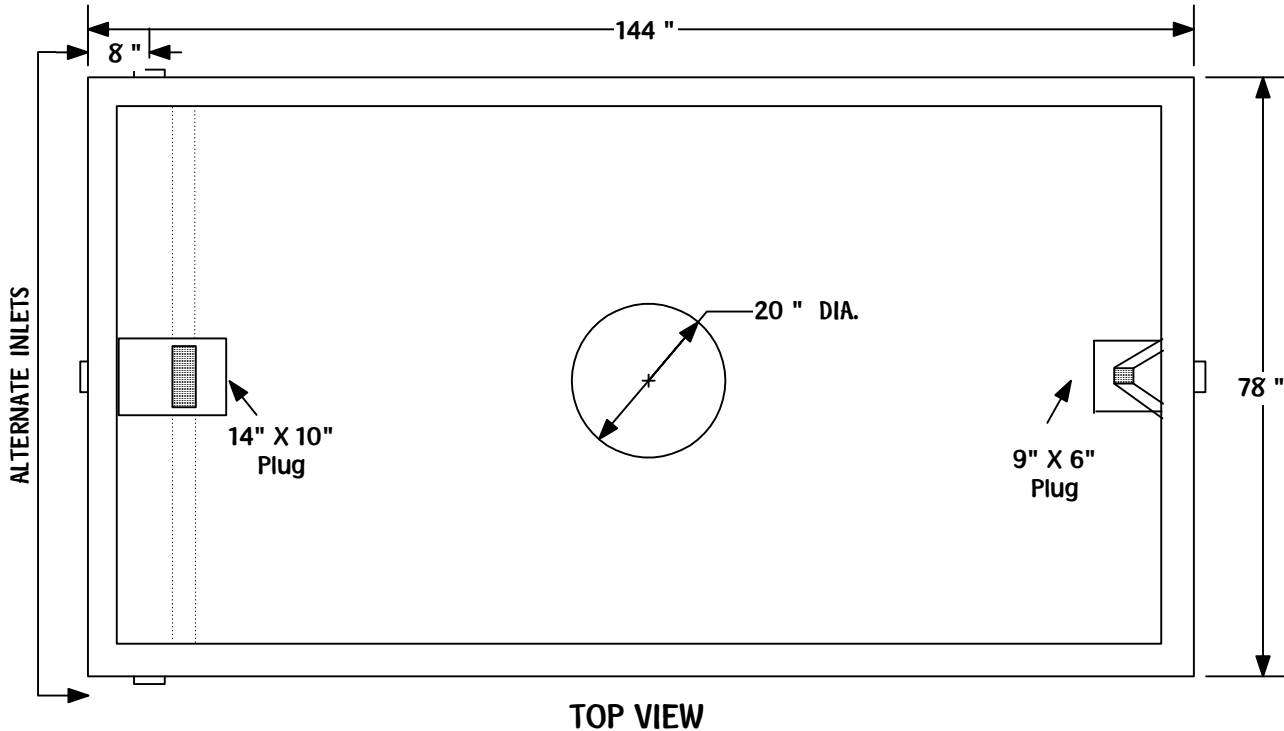
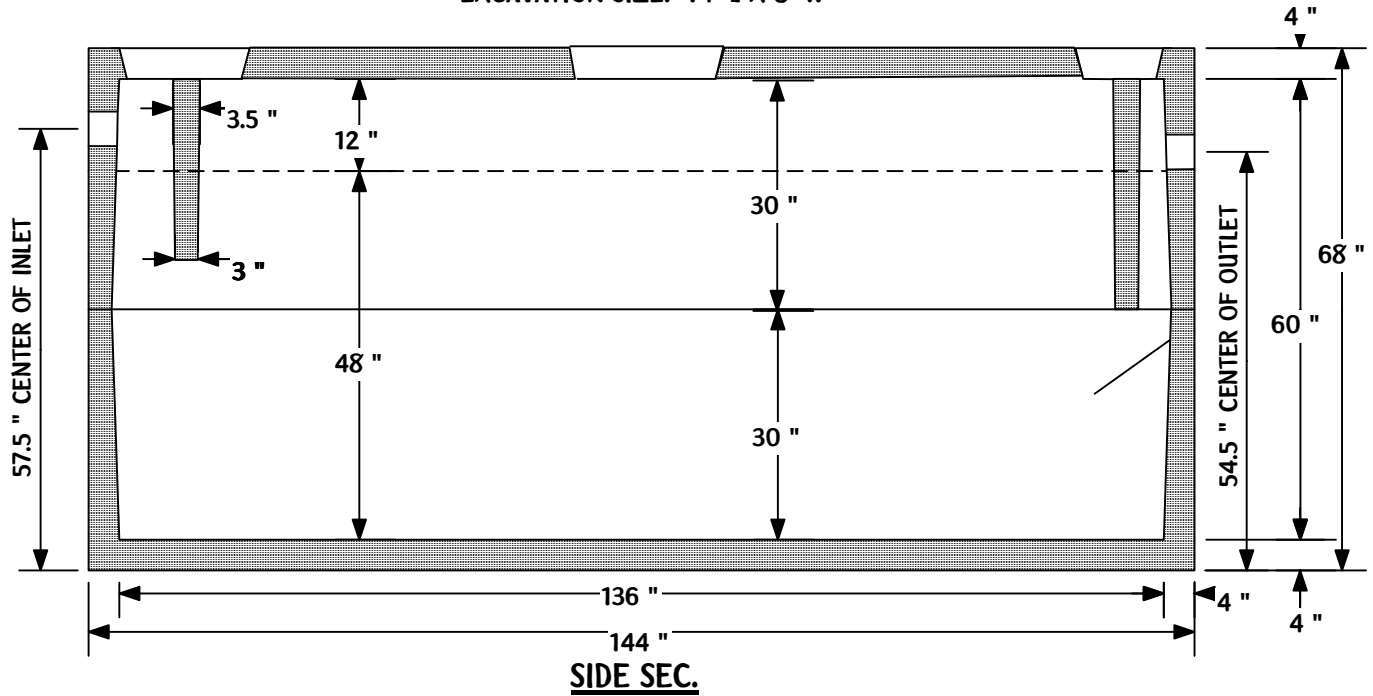
Since 1952

KOHNEN CONCRETE PRODUCTS, INC.

503 GREEN STREET
GERMANTOWN, IL 62245
618-523-4266
Belleville 618-277-2120
Fax 618-523-4751

2000 GALLON REINFORCED CONCRETE SEPTIC TANK

EXCAVATION SIZE: 14' L X 8' W



WEIGHT 15,300 LBS.

THIS STRUCTURE IS NOT DESIGNED FOR VEHICULAR TRAFFIC OR MORE THAN 4' OF COVER OVER THE TOP OF THE TANK.